

# SPECIFICATION & INSTALLATION GUIDE

FREEFRAME FP7 v3  
Mobile Stand for Flat Panel Display  
with Motorized Raise and Lower



[www.gilkon.com.au](http://www.gilkon.com.au)

email: [sales@gilkon.com.au](mailto:sales@gilkon.com.au)  
phone: (02) 99140900  
fax: (02) 99140901

# CONTENTS

---

1. DISCLAIMER	Page 2
2. WARNINGS & SAFETY INSTRUCTIONS	Page 3
3. PACKAGE CONTENTS	Page 4
4. SPECIFICATIONS	Page 5-6
5. INSTALLATION: Attach feet & gussets	Page 7
6. INSTALLATION: Stand FREEFRAME FP7 v3 upright	Page 8
7. INSTALLATION: Attaching the display	Page 9
8. INSTALLATION: Attach laptop shelf (optional)	Page 10
9. INSTRUCTION: Raising & lowering	Page 11
10. INSTRUCTION: Moving FREEFRAME FP7 v3	Page 12
11. INSTRUCTION: Assembly for Mobile Learning Display Kit (optional)	Page 13

# 1. DISCLAIMER

---

Wilson & Gilkes Pty Ltd, intends to make this manual accurate and complete. However, Wilson & Gilkes Pty Ltd makes no claim that the information contained herein covers all details, conditions or variations, nor does it provide for every possible contingency in connection with the installation or use of this product. Information contained in this document is subject to change without notice or obligation of any kind. Wilson & Gilkes makes no representation of warranty, expressed or implied, regarding the information contained herein. Wilson & Gilkes assumes no responsibility for accuracy, completeness or sufficiency of the information contained in this document.

## 2. WARNINGS & SAFETY INSTRUCTIONS

---

Failure to read, understand and follow all instructions can result in serious personal injury, damage to equipment or voiding warranty. It is the installer's responsibility to make sure all components are properly installed using the instructions provided.



### WARNING!

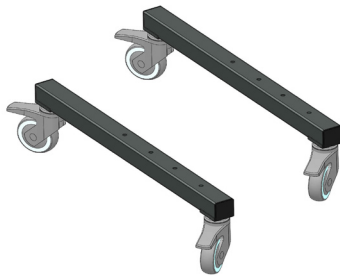
- Installation & assembly work must be carried out by properly licenced technicians or qualified trades people.
- Incorrect installation can cause the FREEFRAME FP7 v3 unit to fall and cause injury. This company assumes no responsibility for injuries or damages that may occur due to improper installation and handling.
- The unit is designed for use with specific products and weight. Exceeding maximum weight capacity to the moving frame may damage product and equipment and could lead to serious personal injury.
- Adhering to proper installation instructions is critical in ensuring all components function properly. A small difference in installation can lead to a severely skewed and distorted image. In order to obtain a square image, follow the step by step instructions as shown.
- Installation will require the lifting of heavy components. A minimum of two people are required.
- Fully tighten all mounting screws as specified in the installation instructions. However, attachment points can be damaged if a power drill is used to tighten screws. Screws should be turned by hand first before tightening with a hex key. Do not over tighten screws. Check fasteners regularly to avoid parts becoming loose.
- Do not allow children to climb onto the frame
- Make sure cables are not caught between moving parts to ensure cables will not be damaged. Cable tie all loose cables to avoid damage.
- When the FREEFRAME FP7 v3 is not in use, lock the castors.
- Make sure the fully raised height of the FREEFRAME FP7 v3 does not exceed the height of the building/room the FREEFRAME FP7 v3 will be used in.

# 3. PACKAGE CONTENTS

NOTE: Packaged contents may look different to content shown in diagrams



Electric Mobile  
FREEFRAME FP7 v3  
Frame  
(Qty: 1)



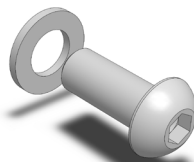
Feet  
(Qty: 2)



Gusset & Front Panel  
(Qty: 3 PCS)

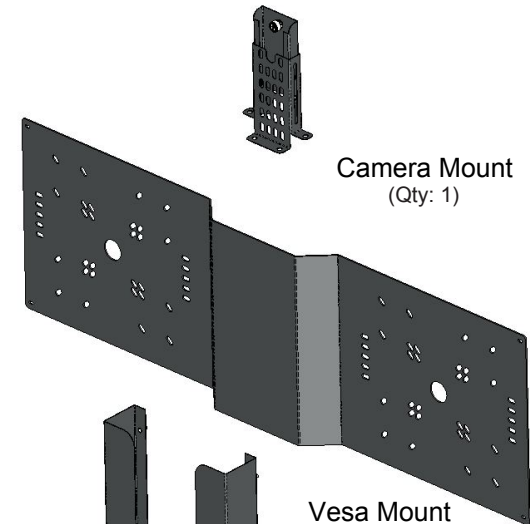


Allen Key  
(Qty: 1)



Fastener kit  
x16 - M8 X 25 BHC Screw & Washers

OPTIONAL Mobile Learning Display Kit



Camera Mount  
(Qty: 1)

Vesa Mount  
(Qty: 1)

Keyboard & Mouse Pocket  
(Qty: 1)

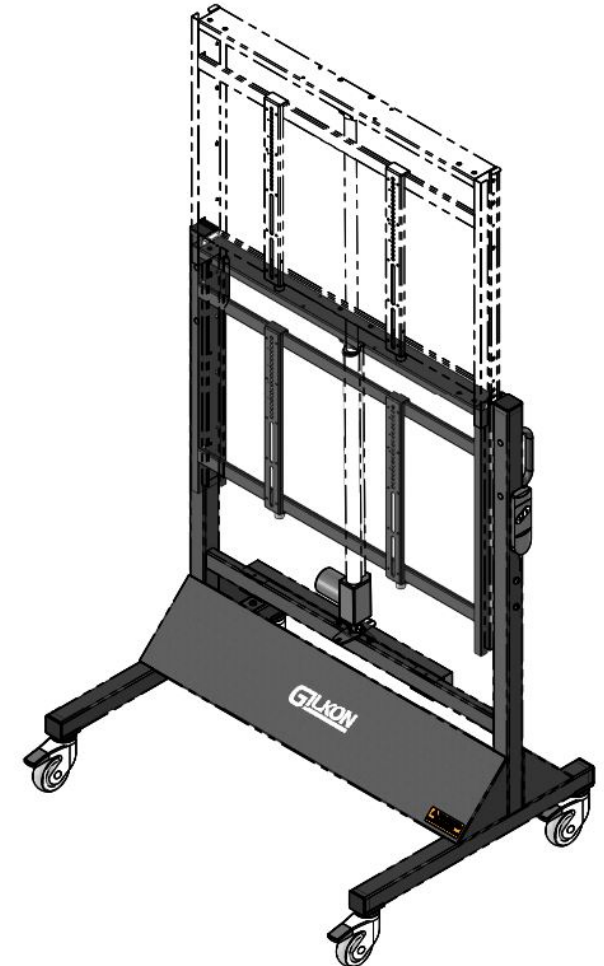
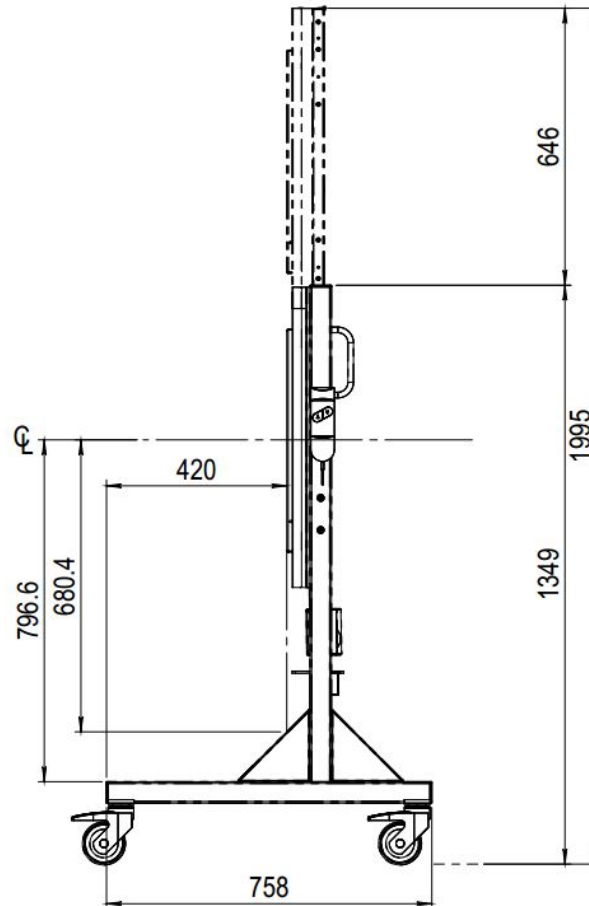
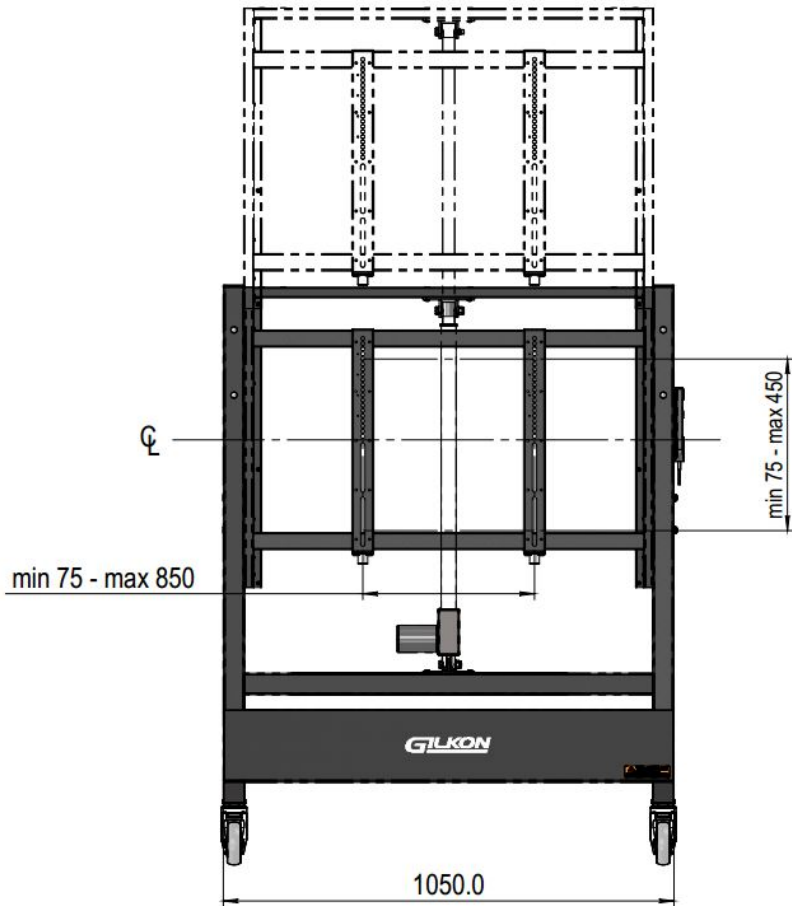


Fastener kit  
x4 - M5 Flange Nut  
x4 - M4 x 10 PH Screw  
x4 - M4 Washer  
x2 - M6 x 12 BHC Screw  
x2 - M6 Washer

# 4. SPECIFICATIONS

**Mobile Stand for  
Flat Panel Displays  
with Motorized  
Raise and Lower  
Model: FP7 v3**

Screen Mounting Compatibility:  
Supports mounting hole pattern from 75mm to 800mm wide and from 75mm to 400mm high.



Gilkon<sup>®</sup> FP7 v3 by Wilson & Gilkes conforms to AS 6065:2003 for stability and mechanical hazards.

Component/ Feature	Specifications	Description	Reference page
<b>WEIGHT</b>			
FREEFRAME FP7 v3	Approx 42kg	FREEFRAME FP7 v3 assembled	
<b>MAXIMUM WEIGHT CAPACITY</b>			
	120kg		
<b>MOVEMENT</b>			
Total Lift	600mm		Page 5
<b>DIMENSIONS</b>			
Height (raised)	1995mm	Height of FREEFRAME FP7 v3 when fully raised	Page 5
Height (closed)	1349mm	Height of FREEFRAME FP7 v3 when fully closed	Page 5
Depth	758mm	Depth of FREEFRAME FP7 v3	Page 5
Width	1050mm	Width of fully assembled FREEFRAME FP7 v3 without display screen attached	Page 5

## 5. INSTALLATION: Attach feet & gussets

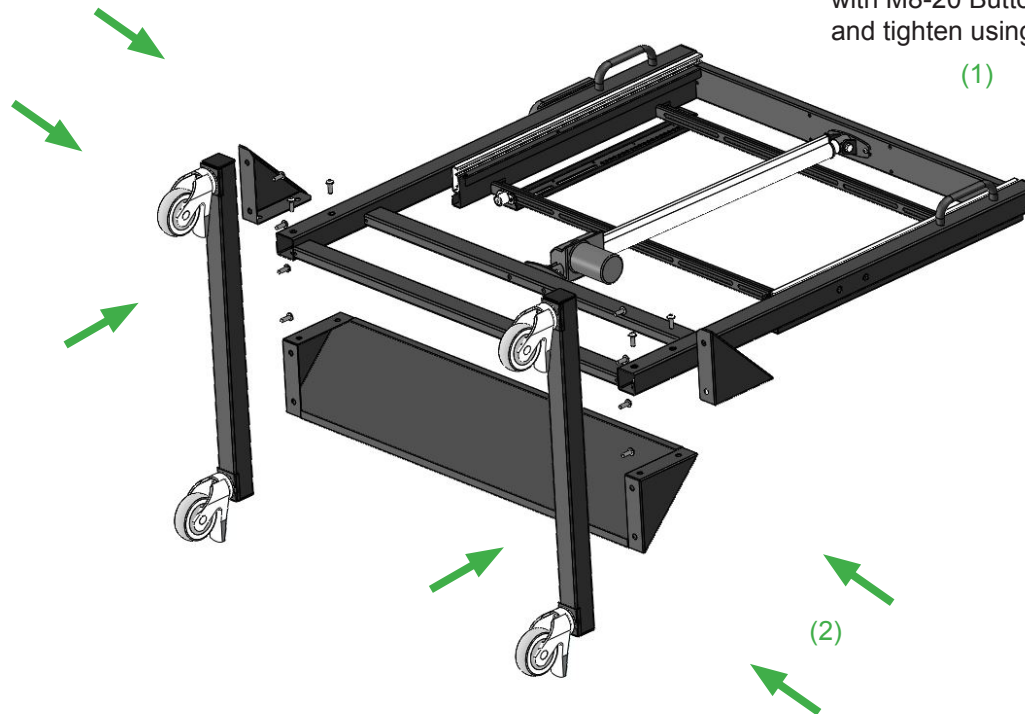


WARNING!

- FREEFRAME FP7 v3 UNIT EXCEEDS 15KG. TWO PERSON OPERATION REQUIRED.

(1) Lift FREEFRAME FP7 v3 out of the carton. If required, use the carton as support while attaching the feet.

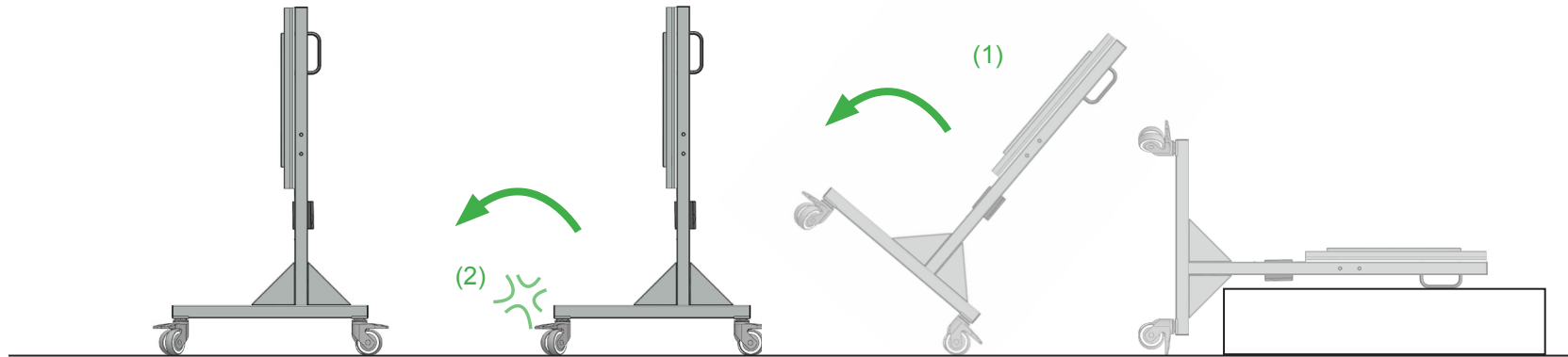
(2) Attach the feet, gussets & front panel to the uprights of the FREEFRAME FP7 v3 frame assembly with M8-20 Button Head Allen Screws supplied and tighten using supplied Allen Key.





## 6. INSTALLATION: Stand FREEFRAME FP7 v3 upright

---



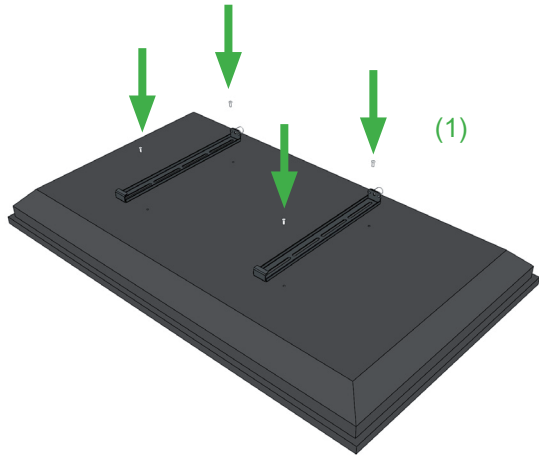
**WARNING!**

- Apply brakes to castors

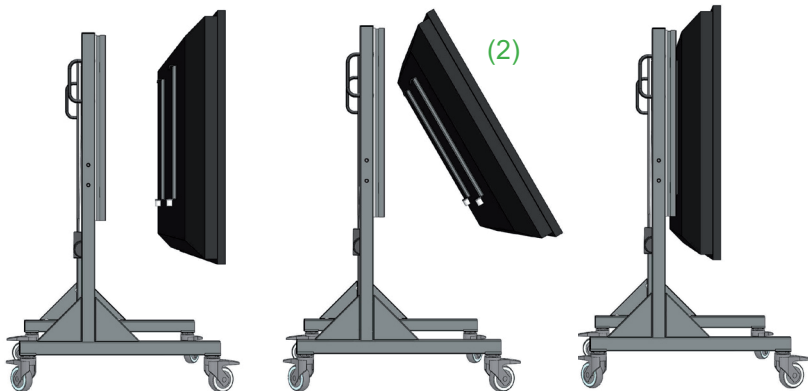
(1) Once the feet are attached, tilt the FREEFRAME FP7 v3 assembly forward to stand on the castors.

(2) Lock the castors in place to stop the FREEFRAME FP7 v3 from moving.

## 7. INSTALLATION: Attaching the display



**CAUTION:** Due to the weight of the display screens and the height of the mounting crossbars, the lifting of the display should be done by a minimum of two people.



Firstly, Remove the hook arms from the main frame before proceeding with attaching the display

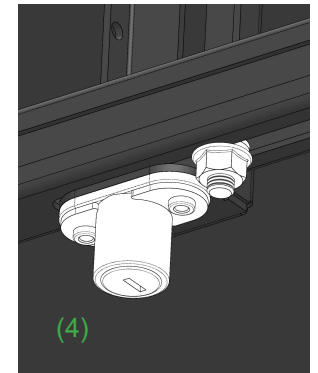
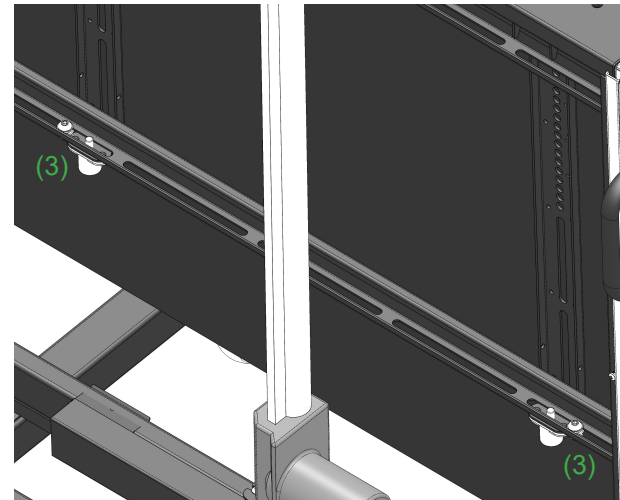
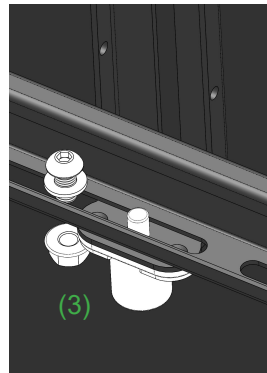
(1) To mount the display onto the mobile stand, attach hook arms to the mounting points at the back of the display. The lock of the hook arms should be at the lower side of the display screen.

**NOTE:** Make sure the hook arms are aligned horizontally, or the picture will become skewed.

(2) Hook the hook arms on the back of the display onto the crossbars on the frame of the mobile stand (as shown). Adjust the screen horizontally along the crossbar until it is in the desired position. When the display is in the desired position, push the locks upwards so the pin of the lock engages the slot on the underside of the crossbar.

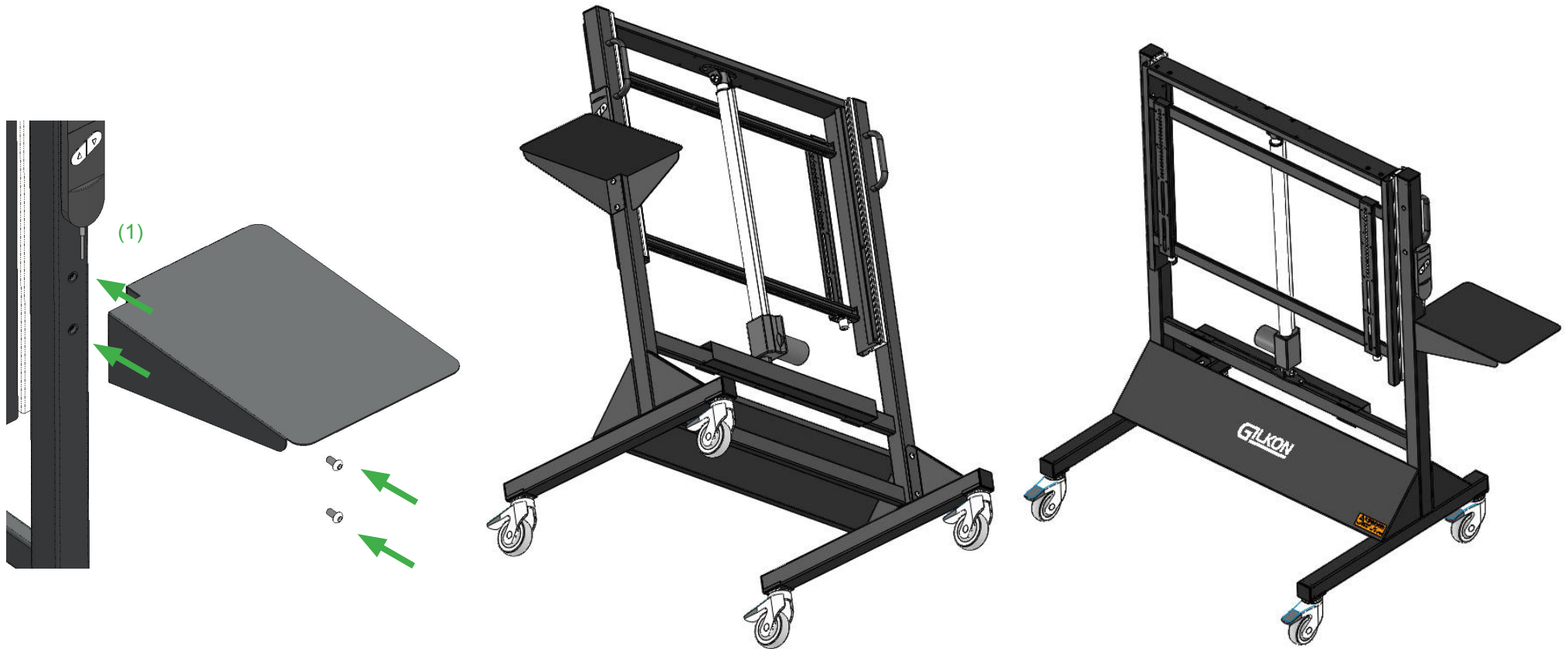
(3) To secure the mounted screen from any sideways movement, assemble the 2 x locking screw assemblies provided against the outside of each hanging arm as shown, and tighten.

(4) To unlock/release the screen, turn the key to release the spring loaded pin in the lock.



## 8. INSTALLATION: Attach laptop shelf (OPTIONAL)

---



(1) Attach the shelf to the mobile stand with 2 M8 x 16 button head screws. Firmly tighten screws with supplied Allen key.

## 9. INSTRUCTION: Raising & lowering

---



(1) To raise or lower the board, use the switch mounted on the rear side of the FREEFRAME FP7 v3.

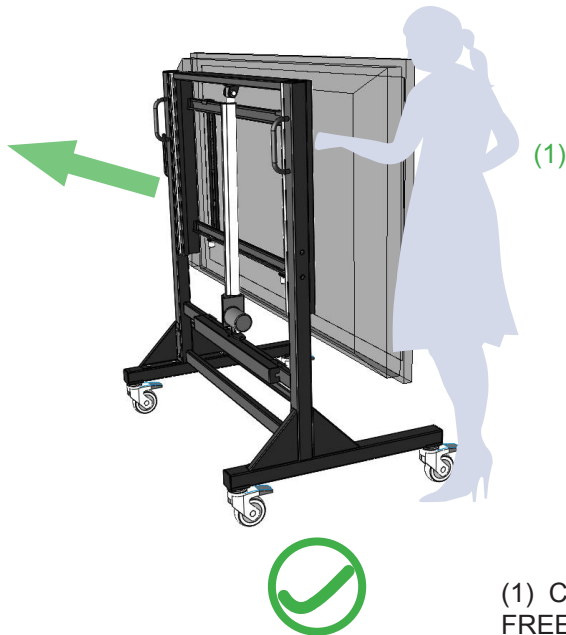


## 10. INSTRUCTION: Moving FREEFRAME FP7 v3

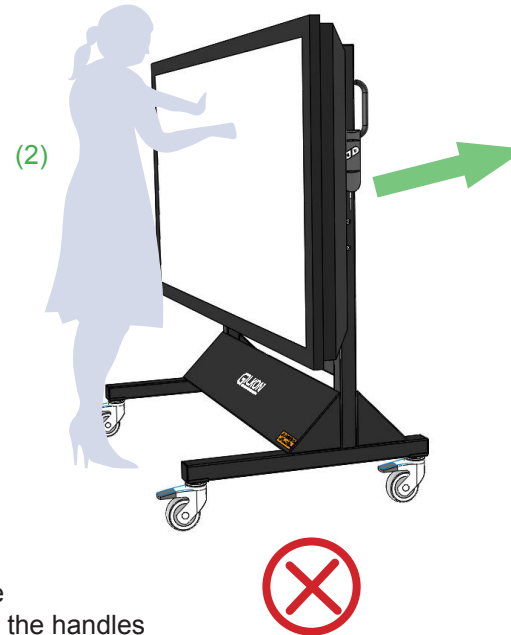


### WARNING!

- Wheeling FREEFRAME FP7 v3 in the incorrect way may cause the stand to tip backwards.



(1) Correct way to push the FREEFRAME FP7 v3, from the handles on the side for more stable movement.



(2) Incorrect way of wheeling the FREEFRAME FP7 v3 can cause the stand to become unbalanced and may tip over.

# 11. INSTRUCTION: Assembly of Mobile Learning Display Kit (OPTIONAL)

---

(1) Assemble camera mount using x2 M6 x 12 BHC Screws & Washers.

(2) Assemble VESA mount plate using x4 M4 x 10 PH Screws & Washers.

(3) Assemble Keyboard & Mouse Pocket using x4 M5 Flange Nuts.

