

# Gilkon FP 7 ML

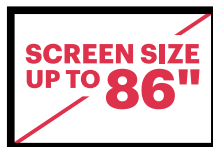
Flat Screen Mobile Lift – Manual Adjustment

# GILKON

The **Gilkon FP 7 ML** is a heavy duty mobile mount for single monitor's. It has manual raise and lower adjustment height settings for flat screen (landscape orientation).

Adjustable height enables inclusive student learning.

Gilkon has stability tested this product in Australia using N.A.T.A guidelines.



## DIMENSIONS

Height (raised)	1995mm
Height (closed)	1349mm
Depth	758mm
Width	1050mm



## FEATURES

- Height adjustable (raised height is approximately 1995mm)
- 15 height adjustments at 40mm increments, total lift distance 600mm
- Raising & lowering via 4 screws on the lifting column
- Easy glide action when adjusting height
- Holds most screens from 42" to 86"
- Maximum weight capacity holds up to 120kgs
- Screen mounting compatibility: supports VESA mounting hole patterns from 75mm to 800mm wide and from 75mm to 400mm high
- Lockable screen mount to deter theft
- Lockable heavy duty castors
- 2x handles for easy/stable movement
- Robust frame
- Mount holes for optional horizontal laptop shelf
- 5 YEAR WARRANTY

## STANDARD COLOUR

- Black texture finish



## ACCESSORIES

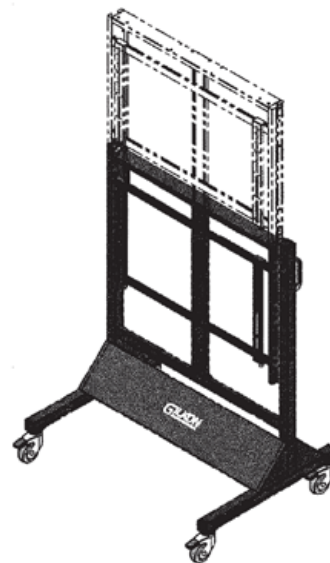
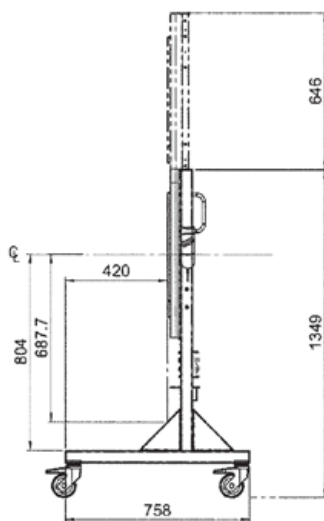
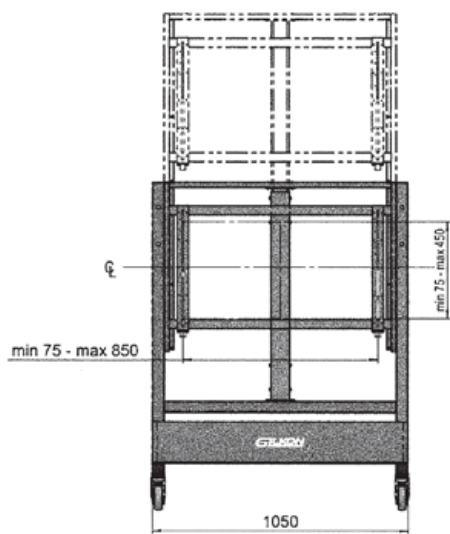
- Laptop shelf
- MLD Kit (includes: mounting bracket, camera mount, keyboard & mouse holder)



# Specifications

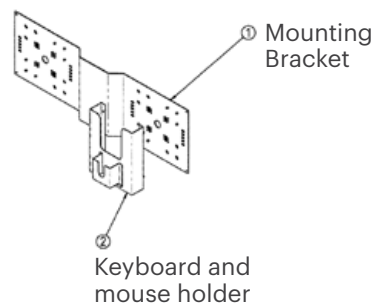
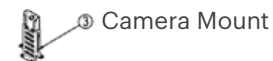
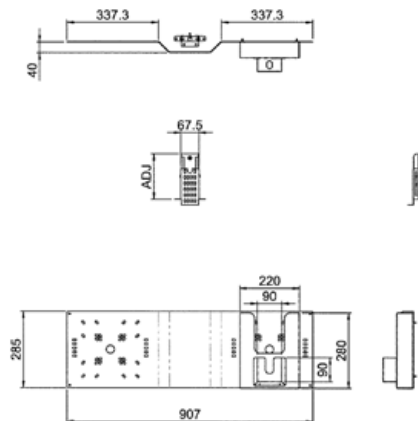


## Flat Screen Mobile Lift – Manual Adjustment



Screen mounting compatibility: supports VESA mounting hole patterns from 75mm to 800mm wide and from 75mm to 400mm high

## Accessory — MLD Kit



## Accessory — Shelf

