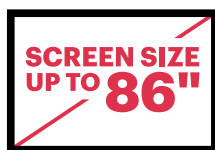


# Gilkon FP 7 v3

Flat Screen Mobile Lift – Automated

# GILKON

The **Gilkon FP 7 v3 Automated** is a heavy duty mobile mount for single monitors. It has one touch, electric lift capacity for flat screens (landscape orientation). Adjustment height enables inclusive student learning. Gilkon has stability tested this product in Australia using N.A.T.A guidelines.



## DIMENSIONS

Height (raised)	1995mm
Height (closed)	1349mm
Depth	758mm
Width	1050mm



Wired Remote  
Included



## FEATURES

- Wired remote included
- Quiet actuator motor to raise and lower
- Enclosed cable management
- Height adjustable (raised height is approximately 1995mm)
- Easy glide action when adjusting height
- Holds most screens from 42" to 86"
- Maximum weight capacity holds up to 120kgs
- Screen mounting compatibility: supports VESA mounting hole patterns from 75mm to 800mm wide and from 75mm to 400mm high
- Lockable screen mount to deter theft
- Lockable heavy duty castors
- 2x handles for easy/stable movement
- Robust frame
- Mount holes for optional horizontal laptop shelf
- 5 YEAR WARRANTY

## STANDARD COLOUR

- Black texture finish



## ACCESSORIES

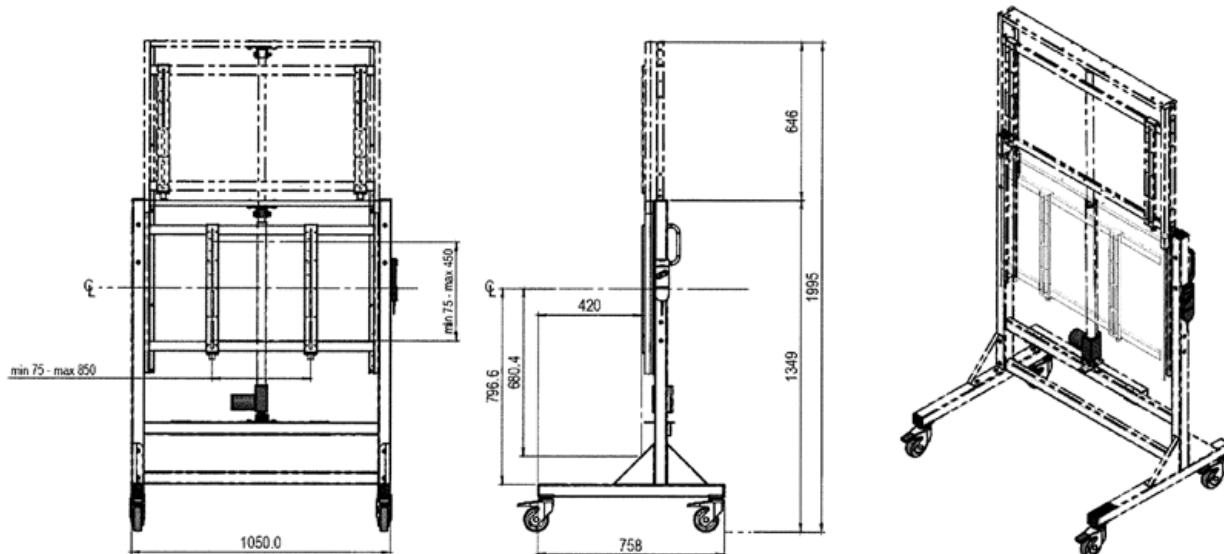
- Laptop shelf
- MLD Kit (includes: mounting bracket, camera mount, keyboard & mouse holder)



# Specifications

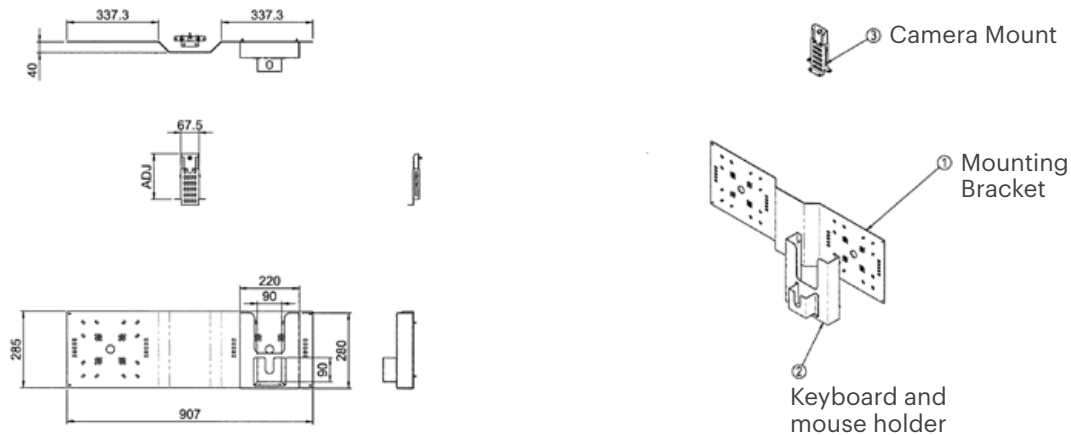


## Flat Screen Mobile Lift – Automated



Screen mounting compatibility: supports VESA mounting hole patterns from 75mm to 800mm wide and from 75mm to 400mm high

## Accessory — MLD Kit



## Accessory — Shelf

