

Plasma/LCD Stands

Premium Series

Mobile Plasma Stand



INSTRUCTIONS

Assembly instructions for the following models of the ProKon Mobile Plasma Display Stand:

| Model | Code |
|--------------------------------|------------|
| Plasma Display Stand - 1250mm | 8FSMAXIS 1 |
| Plasma Display Stand - 1650 mm | 8FSMAXIS 2 |



Manufactured & Distributed By:



PO Box 63
Moorebank NSW 1875
337 - 349 Newbridge Road
Moorebank NSW 2170

Tel: (02) 9914 0900
Fax: (02) 9914 0901
Email: sales@gilkon.com.au

www.gilkonaxis.com.au

Plasma/LCD Stands

Premium Series

Mobile Plasma Stand

AXIS

by **GILKON**

INSTRUCTIONS

1. Installing the Base

- 1.1 Remove rear cover (item 11).
- 1.2 Slide the base (item 1) over four M8 bolts protruding from the column assembly (item 3), secure the Base using four M8 nyloc nuts supplied.
NOTE: Use the holes on the back of the base.

2. Installing the Plasma Plate

- 2.1 Install the plasma plate bracket (item 5) to the top of the column assembly using the supplied M8 screws.
- 2.2 Fasten the plasma plate bracket (item 4) to the column plate bracket (item 5).

3. Securing the Shelf (Optional)

- 3.1 Insert the shelf's hooks into the column, and push down.
- 3.2 Secure the shelf (item 8) with an M6 screw.

4. Installing the Plasma Rails to the Plasma Screen

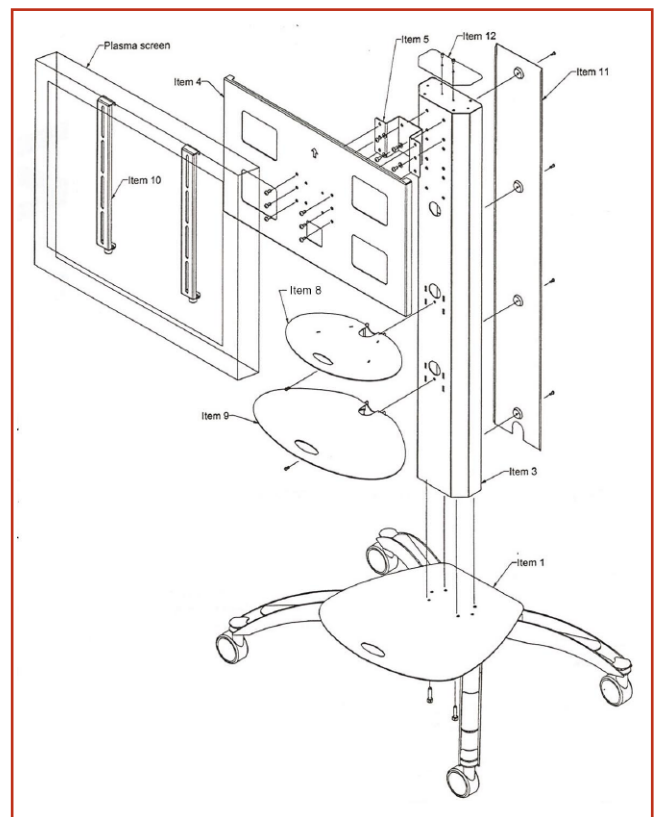
- 4.1 Fasten two plasma rails (item 10) to the back of the plasma screen. Use a spirit level to ensure they are level.

5. Mounting the Plasma Screen to the Plasma Trolley

- 5.1 (This is a two person task!) Lift and mount the plasma screen, complete with rails, by hooking the rails over the plasma plate.
- 5.2 Centre the plasma screen on the plasma trolley and lock into position at the bottom of each plasma rail (item 10).

6. Installing the Rear and Top Covers

- 6.1 Run the plasma screen and other cables, through the access holes on the front of the column and out the back on the bottom of the column.
- 6.2 Install the rear cover (item 11) with the M6 screws.
- 6.3 Install the top cover (item 12) with the M6 screws.



Manufactured & Distributed By:


WILSONGILKES
MANUFACTURING IDEAS

PO Box 63
Moorebank NSW 1875
337 - 349 Newbridge Road
Moorebank NSW 2170

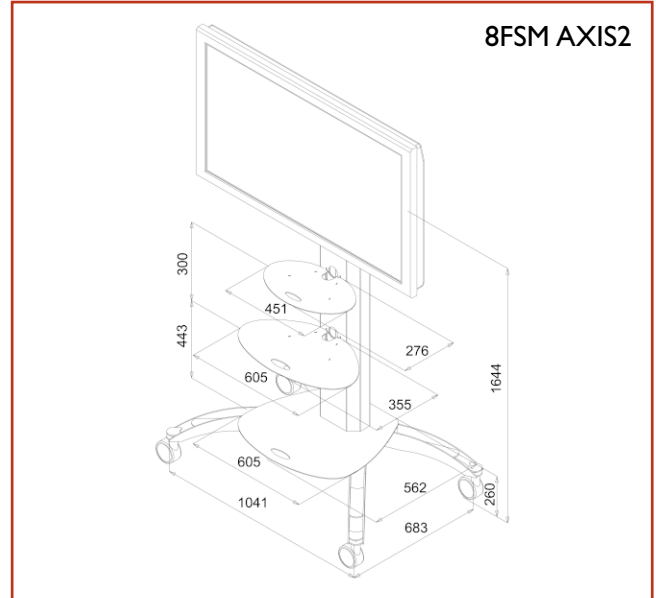
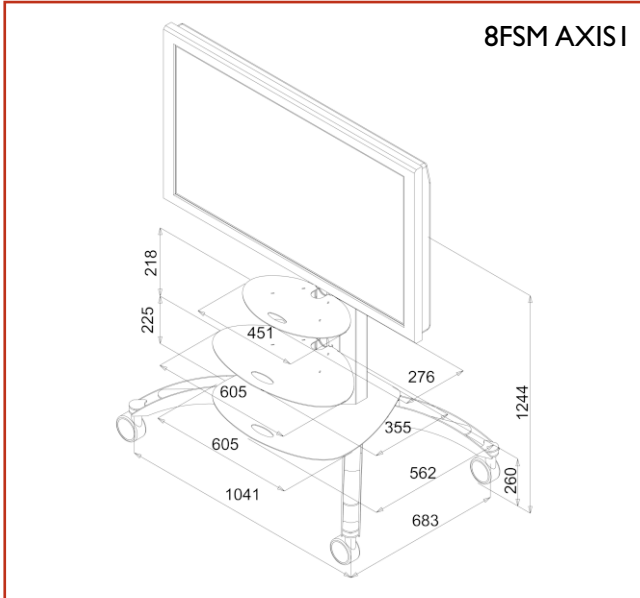
Tel: (02) 9914 0900
Fax: (02) 9914 0901
Email: sales@gilkon.com.au

www.gilkonaxis.com.au

Plasma/LCD Stands
Premium Series
Mobile Plasma Stand



INSTRUCTIONS



Manufactured & Distributed By:



PO Box 63
 Moorebank NSW 1875
 337 - 349 Newbridge Road
 Moorebank NSW 2170

Tel: (02) 9914 0900
 Fax: (02) 9914 0901
 Email: sales@gilkon.com.au

www.gilkonaxis.com.au